

# ATEX Approved ExnA Non-incendive Coil Unit

## DESCRIPTION

Non-incendive coil suitable for Zone 2 areas only, manufactured in accordance with the requirements of EN/IEC60079-15 and EN/IEC60079-31. Such that under normal operation it is not capable of igniting a surrounding explosive atmosphere and a fault capable of causing ignition is not likely to occur. Covered by BASEEFA approval, Certificate Number BAS03ATEX0296X category ExnA T4 (Type EP000/PS/N).

## FEATURES

- PG9 cable gland. (cable diameter 6 - 8mm)
- Protection class IP65 according to ENBS60529
- Plug connector DIN 43650 - Form A / ISO 4400
- Continuously rated
- Maximum permitted voltage variation  $\pm 10\%$
- Maximum ambient temperature  $+80^{\circ}\text{C}$
- Low power consumption
- Wide range of voltages available

PRODUCT CODE:

**A V 6 3 6 0 Y 0 0**  **A**

VOLTAGE

SEE BELOW FOR  
PRODUCT CODE  
DETAILS

Any of the below options that are not required enter '0' in relevant box.

## SPECIAL CERTIFICATION CONDITIONS

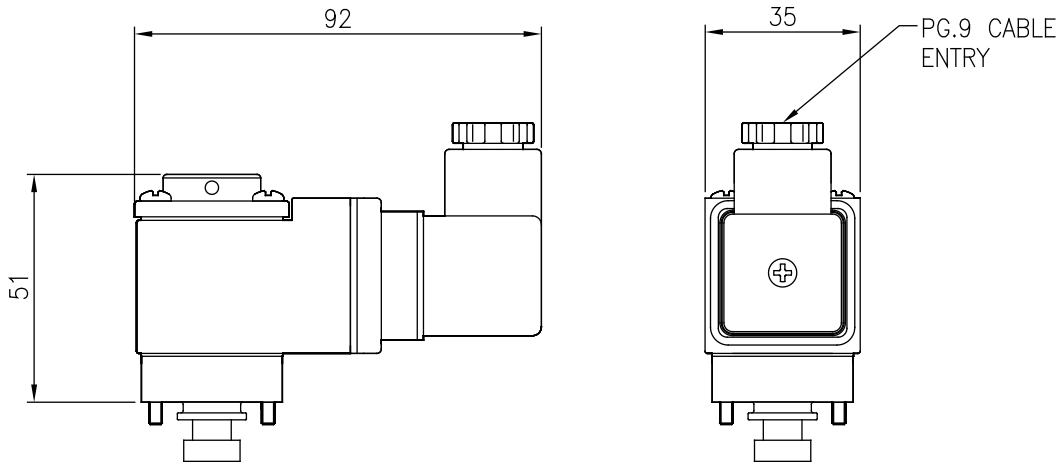
1. The temperature of the medium passing through the valve must not exceed  $60^{\circ}\text{deg C}$ , except for the AC version of the type EP000/PS/N, where it must not exceed  $48^{\circ}\text{deg C}$ .
2. Any internal earth conductor must be connected by means of a crimped ring type connector.
3. The valve assembly shall be complete when the coil is energised.
4. The incoming mains cable to the type EP000/PS/N version, must be provided with additional clamping in order to prevent the Plug and Socket Cable Gland from being subjected to a tensile load.

## Standard Voltage

<b>B</b>	24v DC
<b>H</b>	24v DC Low Power
<b>R</b>	24v AC (50/60 Hz)
<b>T</b>	110v AC (50/60 Hz)
<b>N</b>	220v AC (50/60 Hz)
<b>U</b>	240v AC (50/60 Hz)

\* A comprehensive range of non-standard voltages available on request

### DIMENSIONS (mm)



### MATERIAL SPECIFICATIONS

#### STANDARD

Coil Case	Zinc Alloy Epoxy Powder Coated
Armature and Fixed Pole Piece	Magnetic Solenoid Quality Stainless Steel
Springs	Stainless Steel
Seals and Seats	Viton
Coil Former	30% Glass Filled PBR
Magnetic Wire	Class H Coated Copper

### SOLENOID SPECIFICATIONS

Coil Type	DC Solenoid Coil	AC Solenoid
Voltage Standard	24	24, 110, 220, 240 (50/60 Hz)
Voltage Tolerance	±10%	±10%
Ambient Temperature	-40 to +60°C	-40 to +60°C
Duty Cycle	100%	100%
Degree Of Protection	IP66 (IP67 available on request)	IP66 (IP67 available on request)
Electrical Connection	Junction Box with M20 Conduit Entry	Junction Box with M20 Conduit Entry
Power Consumption	2.4W or 1.3W	Pull In - 10VA, Holding - 5VA
Pressure Range	0 - 10 Bar	0 - 10 Bar

### FUSE RATING

DC	AC	Rating
24	110	125mA
	220/240	63mA