

## BASEEFA Approved ExnA Non-incendive Coil Unit

**CALL:** +44 (0)1254 872277  
**E-MAIL:** sales@pneumatrol.com



### DESCRIPTION

Non-incendive coil suitable for Zone 2 areas only, manufactured in accordance with the requirements of EN/IEC60079-15 and EN/IEC60079-31. Such that under normal operation it is not capable of igniting a surrounding explosive atmosphere and a fault capable of causing ignition is not likely to occur. Covered by BASEEFA approval, Certificate Number BAS03ATEX0296X category ExnA T4 and T6.

### FEATURES

- M20 x 1.5 conduit entry or 1/2" NPT
- Protection class IP65 according to ENBS60529
- Connection by 2-pole 2.5mm<sup>2</sup> terminal strip + earth
- Continuously rated
- Maximum permitted voltage variation  $\pm 10\%$
- Maximum ambient temperature  $+60^{\circ}\text{C}$
- Low power consumption
- Wide range of voltages available

**PRODUCT CODE: AV6360N00**



**SEE BELOW FOR  
PRODUCT CODE  
DETAILS**

Any of the below options that are not required enter '0' in relevant box.

#### Standard Voltage

- B** 24v DC
- H** 24v DC Low Power
- R** 24v AC (50/60 Hz)
- T** 110v AC (50/60 Hz)
- N** 220v AC (50/60 Hz)
- U** 240v AC (50/60 Hz)

#### Options

- 0** No option required
- E** 1/2" NPT electrical connection

\* A comprehensive range of non-standard voltages available on request

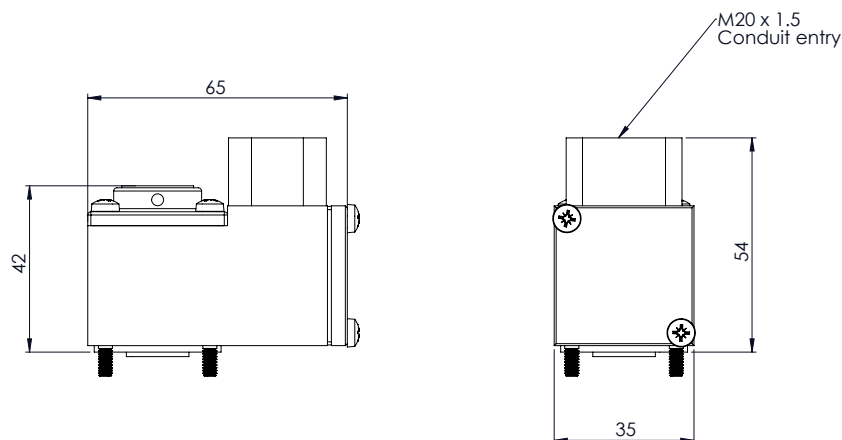
### INSTALLATION

The valve is provided with M20 conduit thread electrical entry to accept screw-in compression type cable gland or conduit stopping gland with or without adapter, chosen in accordance with a recognised Code of Practice for the conditions of use. Sealing of the gland thread is not a requirement of the approval but thread sealant or sealing washers may be used to maintain the IP rating of the enclosure.

### SPECIAL CERTIFICATION CONDITIONS

1. The valve assembly must be complete before the coil is energised.
2. The supply voltage must not exceed 1.1X rated voltage for AC units, 1.2X rated voltage for DC units.
3. The coil supply circuit must be individually protected by a fuse which has a standard rated current nearest to that of the normal operating current of the solenoid and of the type specified in Standard Sheet III of IEC Publication 127 for up to 250 V. (See FUSE RATING shown overleaf)
4. The temperature of the medium passing through the valve must not exceed  $40^{\circ}\text{C}$ .
5. Any internal earth conductor must be connected by means of a crimped ring type connector.

## DIMENSIONS (mm)



## MATERIAL SPECIFICATIONS

### STANDARD

Coil Case	Zinc Alloy Epoxy Powder Coated
Armature and Fixed Pole Piece	Magnetic Solenoid Quality Stainless Steel
Springs	Stainless Steel
Seals and Seats	Viton
Coil Former	30% Glass Filled PBR
Magnetic Wire	Class H Coated Copper

## SOLENOID SPECIFICATIONS

Coil Type	DC Solenoid Coil	AC Solenoid
Voltage Standard	24	24, 110, 220, 240 (50/60 Hz)
Voltage Tolerance	±10%	±10%
Ambient Temperature	-40 to +60°C	-40 to +60°C
Duty Cycle	100%	100%
Degree Of Protection	IP65	IP65
Electrical Connection	Junction Box with M20 or 1/2" NPT Conduit Entry	Junction Box with M20 or 1/2" NPT Conduit Entry
Power Consumption	2.4W or 1.3W	Pull In - 10VA, Holding - 5VA
Pressure Range	0 - 10 Bar	0 - 10 Bar

## FUSE RATING

DC	AC	Rating
24	110	125mA
	220/240	63mA