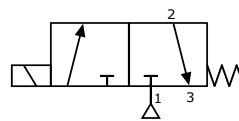


E13AXA Series, 1/8" 3/2 Function Compact Solenoid Valve



DESCRIPTION

3 port 2 position direct acting, compact solenoid valve designed for direct banjo bolt mounting onto 1/4 turn pneumatically operated valve actuators having 1/8" BSP ports.

Body material available in

- Aluminium (standard)

FEATURES

- Convenient single 1/8" BSP Banjo bolt connection
- Compact design to suit small actuators
- 1/4" BSP mains air connection and M5 exhaust

PRODUCT CODE: **E 1 3 A X A K 0 0**



SEE BELOW FOR
PRODUCT CODE
DETAILS

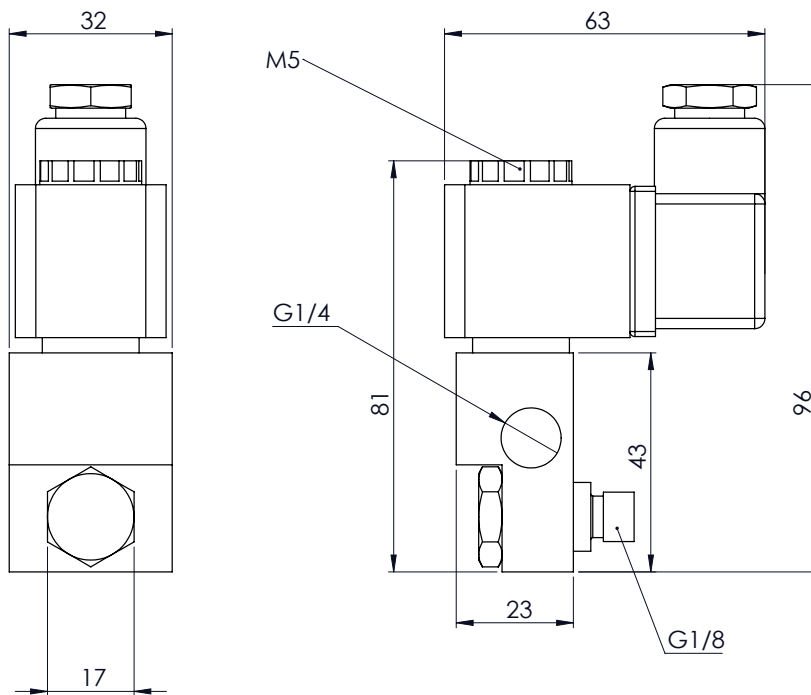
Any of the below options that are not required enter '0' in relevant box.

Standard Voltage

B	24v DC
H	24v DC Low Power
R	24v AC (50/60 Hz)
T	110v AC (50/60 Hz)
N	220v AC (50/60 Hz)
U	240v AC (50/60 Hz)

* A comprehensive range of non-standard voltages available on request

DIMENSIONS (mm)



MATERIAL SPECIFICATIONS

STANDARD

Body	Black Anodised Aluminium (Dural)
Banjo Bolt	Brass Nickel Plated
Jet	Black Anodised Aluminium (Dural)
Seals	Nitrile & Viton

VALVE SPECIFICATIONS

STANDARD

Inlet Port Connection Size	1/4" BSP
Outlet Port Connection Size	1/8" BSP Banjo Bolt
Exhaust Port Connection Size	M5
Working Pressure	0 to 10 bar
Cv Factor	0.06
Flow Rate (at 6 bar with 1 bar pressure drop)	62 l/min
Maximum Ambient Temperature	+80 °C
Minimum Working Temperature	-20 °C

COIL DETAILS

Coil Type **MC30 Plug & Socket**

Area Class	Safe
Area Category	N/A
Ingress Protection	IP65
Cable Entry	PG.9
Ambient Temperature	-20 to +60 °C
Magnetic Wire Class	H