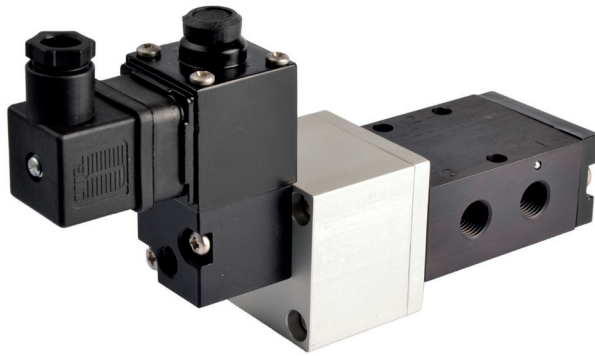


E238L0 Series, Low Pressure, 1/4", 3/2 Function Solenoid Valve

CALL: +44 (0)1254 872277
E-MAIL: sales@pneumatrol.com



DESCRIPTION

3 port 2 position, low pressure pilot operated solenoid valve.

Valve is illustrated with a safe area plug & socket coil.

Body material available in

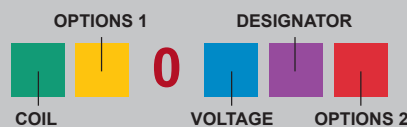
- Aluminium (standard)
- Stainless Steel
- Brass

FEATURES

- External pilot air connection
- Interchangeable coils, including various hazardous area options
- Single coil spring return function
- Pilot exhaust dust caps fitted as standard

PRODUCT CODE:

E 2 3 8 L 0



SEE BELOW FOR PRODUCT CODE DETAILS

Any of the below options that are not required enter '0' in relevant box.

Coil

A	Exia (BASEEFA)
B	Terminal Box
U	Exia (FM)
D	Exd
K	MC30 Plug & Socket
N	ExnA
P	Plug & Socket
S	Exia (BASEEFA) Stainless Steel Housing
0	No Coil Unit
9	Exm

Options 1

C	Lever manual override
D	Push button manual override
1	Tamperproof manual override
0	No option required

Standard Voltage

B	24v DC
H	24v DC Low Power ⁽¹⁾
R	24v AC (50/60 Hz)
T	110v AC (50/60 Hz)
N	220v AC (50/60 Hz)
U	240v AC (50/60 Hz)

* A comprehensive range of non-standard voltages available on request

Note:

- (1) "H" option not available with Exia solenoids
- (2) IECEx only available with Exia and Exd Solenoids
- (3) GOST CU TR only available with Exd solenoids
- (4) NEPSI only available with Exia and Exd solenoids

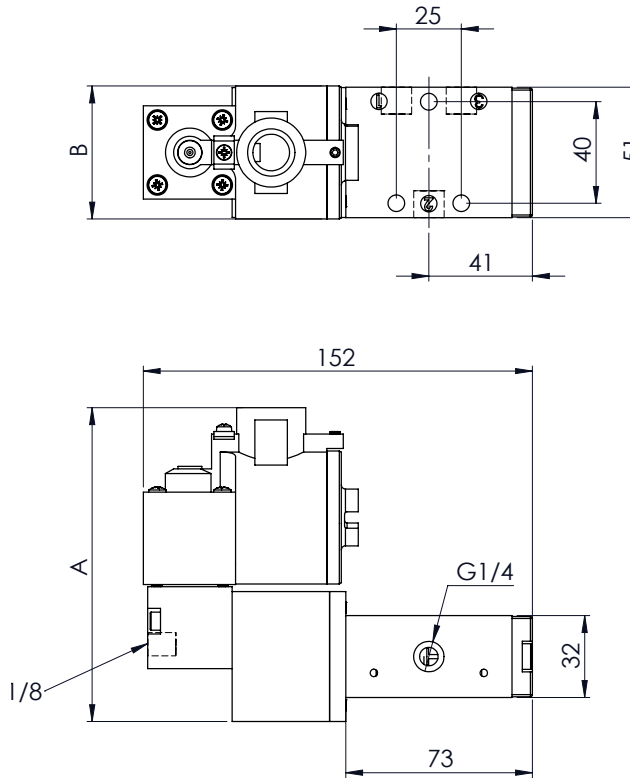
Designator

A	ATEX
C	IECEx ⁽²⁾
E	Exme 0.5W
G	ATEX Exd IIB
H	Exm
J	Exme 2.4W
R	GOST CU TR ⁽³⁾
X	NEPSI ⁽⁴⁾

Options 2

B	Valve body brass
C	Valve body brass and NPT ports
D	Valve body brass, NPT ports and 1/2" NPT electrical connection
E	1/2" NPT electrical connection
L	Low temperature duty -40°C
M	NPT ports and 1/2" NPT electrical connection
N	NPT ports
P	Valve body stainless steel, NPT ports and 1/2" NPT electrical connection
R	Valve body stainless steel and NPT ports
S	Valve body stainless steel
X	Valve suitable for use with Oxygen

DIMENSIONS (mm)



COIL TYPE	A	B
Plug & Socket	102	51
Terminal Box	111	51
ExnA	111	51
Exd	123	52
Exia	117	51
Exm	93	51

MATERIAL SPECIFICATIONS

STANDARD

Body And End Caps	Black Anodised Aluminium (Dural)
Low Pressure Pilot End Caps	Natural Anodised Aluminium (Dural)
Spool	Hard Anodised Aluminium PTFE Impregnated
Jet	Brass
Spacers	Glass Filled Acetal
Seals	Nitrile
Spring	Music Wire

VALVE SPECIFICATIONS

STANDARD

Port Connection Size	1/4" BSP
External Pilot Port Connection	1/8" BSP
Working Pressure	1.5 to 10 bar
Minimum External Pilot Pressure	1.5 bar
Cv Factor	1.2
Flow Rate (at 6 bar with 1 bar pressure drop)	1246 l/min
Maximum Ambient Temperature	+80 °C
Minimum Working Temperature	-20 °C

COIL DETAILS

Coil Type	Plug & Socket	Terminal Box	ExnA	Exd	Exm	Exia
Area Class	Safe	Safe	Zone 2	Zones 1 & 2	Zones 1 & 2	Zone 0, 1 & 2
Area Category	N/A	N/A	ExN II T4-T6	Exd IIC T3-T6	Exm IIC T5	Exia IIC T6
Ingress Protection	IP65	IP65	IP65	IP66	IP65	IP65
Cable Entry	PG.9	M20 x 1.5	M20 x 1.5	M20 x 1.5	Flying leads	M20 x 1.5
Ambient Temperature	-20 to +80 °C	-20 to +80 °C	-40 to +60 °C	-60 to +80 °C	-20 to +65 °C	-40 to +65 °C
Magnetic Wire Class	H	H	H	H	H	H

*** FURTHER SOLENOID OPTIONS AVAILABLE ON REQUEST**