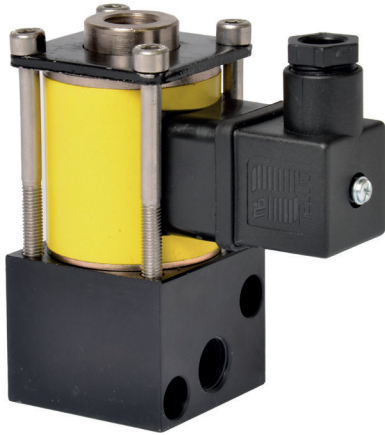


## E23A-0 Series, Direct Acting, 1/4", 3/2 Function Solenoid Valve

**CALL:** +44 (0)1254 872277  
**E-MAIL:** sales@pneumatrol.com



### DESCRIPTION

3 way direct acting, solenoid valve available in normally closed or normally open configuration, for the operation of single acting pneumatic devices.

Valve is illustrated a safe area plug & socket coil.

Body material available in

- Aluminium (standard)
- Stainless Steel
- Brass

### FEATURES

- Remote or direct mount

**PRODUCT CODE:** E 2 3 A **OPERATOR** 0 **COIL** 0 **OPTIONS 1** 0 **VOLTAGE** 0 **OPTIONS 2** 0

SEE BELOW FOR PRODUCT CODE DETAILS  
 Any of the below options that are not required enter '0' in relevant box.

#### Operator

- X** Spring return, normally closed
- Y** Spring return, normally open

#### Coil

- P** Plug & Socket

#### Options 1

- C** Lever manual override

#### Standard Voltage

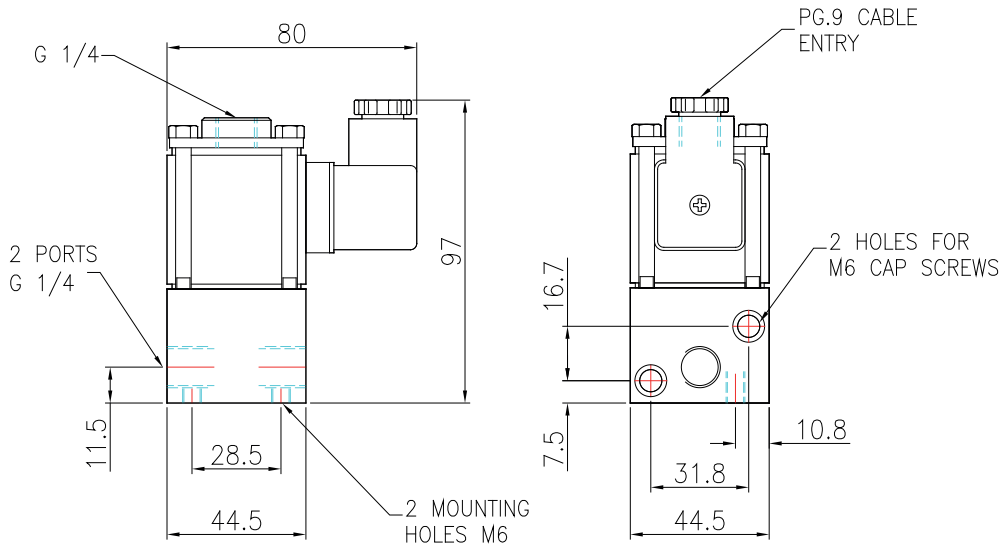
- B** 24v DC
- H** 24v DC Low Power
- R** 24v AC (50/60 Hz)
- T** 110v AC (50/60 Hz)
- N** 220v AC (50/60 Hz)
- U** 240v AC (50/60 Hz)

\* A comprehensive range of non-standard voltages available on request

#### Options 2

- N** NPT ports

**DIMENSIONS (mm)**



**MATERIAL SPECIFICATIONS**

	STANDARD
Body	Black Anodised Aluminium (Dural)
Jet	Brass
Seals	Viton

**VALVE SPECIFICATIONS**

	STANDARD
Port Connection Size	1/4" BSP
Working Pressure	0 to 10 bar
Cv Factor	0.18
Flow Rate (at 6 bar with 1 bar pressure drop)	187 l/min
Maximum Ambient Temperature	+80 °C
Minimum Working Temperature	-20 °C
Inlet Orifice Size	2.0
Exhaust Orifice Size	2.5

**COIL DETAILS**

Coil Type	Plug & Socket
Area Class	Safe
Area Category	N/A
Ingress Protection	IP65
Cable Entry	PG.9
Ambient Temperature	-20 to +80 °C
Magnetic Wire Class	H